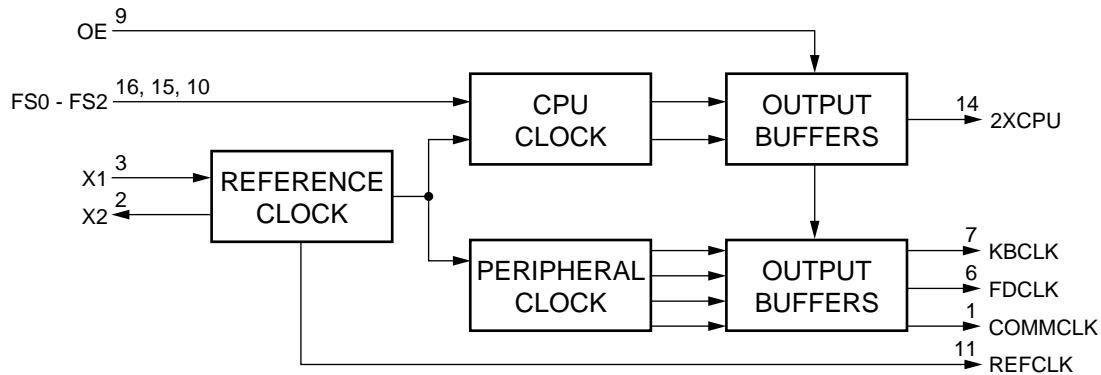
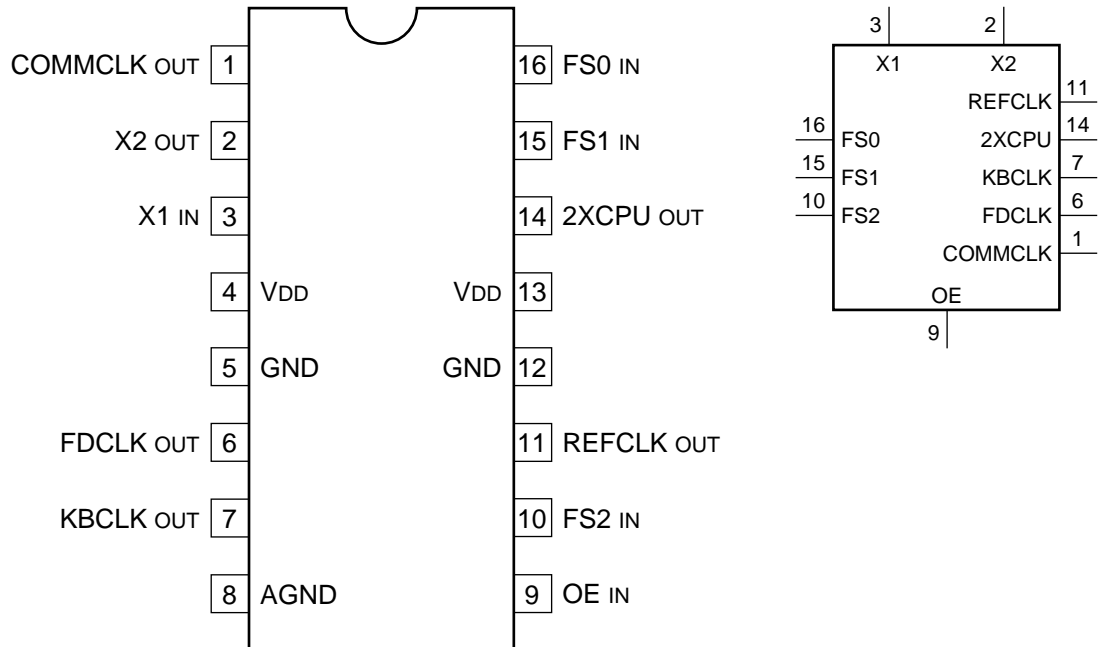


C-MOS FREQUENCY GENERATOR

—TOP VIEW—

**INPUT**

FS0 - FS2 : FREQUENCY SELECT

OE : OUTPUT ENABLE

X1 : CRYSTAL

OUTPUT

2XCPU : 2XCPU CLOCK

COMMCLK : 1.84 MHz COMMUNICATION CLOCK

FDCLK : 24 MHz FLOPPY DISK CLOCK

KBCLK : 12 MHz KEYBOARD CLOCK

REFCLK : 14.318 MHz REFERENCE CLOCK

X2 : CRYSTAL